

## Professional hot water dispenser düsseldorf



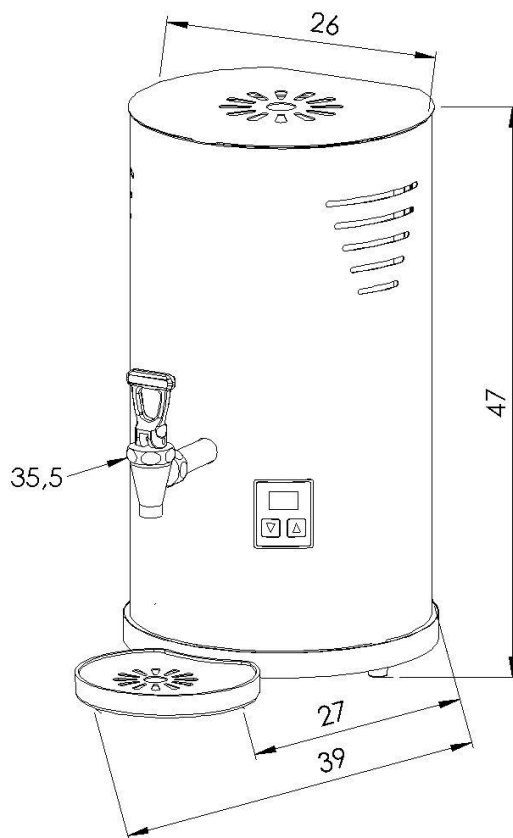
The perfect unit for the professional preparation of hot water – boil large amounts of hot water at your selected temperature and at high speed.

Minimal cleaning effort and simple operation.

Ideal for the hotel industry, gastronomy sector or in healthcare.

- ▲ Electronic temperature control between 60 – 97°C
- ▲ Temperature tolerance +/-2°C
- ▲ Automatic initial filling
- ▲ In-built level regulation feature
- ▲ Boiler capacity approx. 7,5 l
- ▲ Discharge extraction 4 l
- ▲ Fixed water connection 3/4"
- ▲ Alternative model with additional container
- ▲ Alternative model switchable to mobile operation
- ▲ Threefold thermo-insulated boiler with drip tray
- ▲ Max. continuous output 30 l / h





Article number:	200.401
Net weight:	9.3 kg
Gross weight:	11.6 kg
Product dimensions:	H = 47 cm / W = 26 cm / D = 27 cm
Depth with discharge tap:	35.5 cm
Depth with drip tray:	39 cm
Box dimensions:	Dimensions are not yet available
Discharge height:	14 cm
Electrical connection:	2,100 W / 230 V / 50 Hz
Max. continuous output:	30 l / h

Optional accessories:  
 28020 Floor unit verona  
 28010 Floor unit michelle  
 28025 Floor unit mika  
 551030 Water supply mobil innotec